

CREATE EXCITEMENT

WITH
POT O' GOLD
PLINKO!™

**GREAT
PROMOTIONS
BUILD
TRAFFIC!**

WWW.FUNINDUSTRIES.COM



DIMENSIONS:
24W X 42H
35 lbs.

**LET YOUR IMAGINATION
CREATE UNLIMITED
PROMOTIONS!**

USE AT:

- TRADE SHOWS-
- PRIZE DRAWINGS-
- CORPORATE EVENTS-
- FUNDRAISERS-

- REAL PLYWOOD-
- LEXAN SHIELD-
- FLASHING LIGHTS-
- SOUND EFFECTS-
- CUSTOM LOGO OPTIONS-
- SHIPS VIA UPS-

**WORKS WELL WITH
OUR FAMOUS
MONEY MACHINES**

FUN
INDUSTRIES INC.

627 15th Ave. East Moline IL 61244
1-800-747-1144

©2009 Fun Industries Inc.

**PROMOTIONS ARE YOUR
GREATEST MARKETING TOOL!**

**FREE
IDEAS GUIDE
CALL TODAY**

**WE'LL SHOW
YOU HOW TO**

**EXCITE CROWDS AT YOUR
CONVENTION BOOTH!**

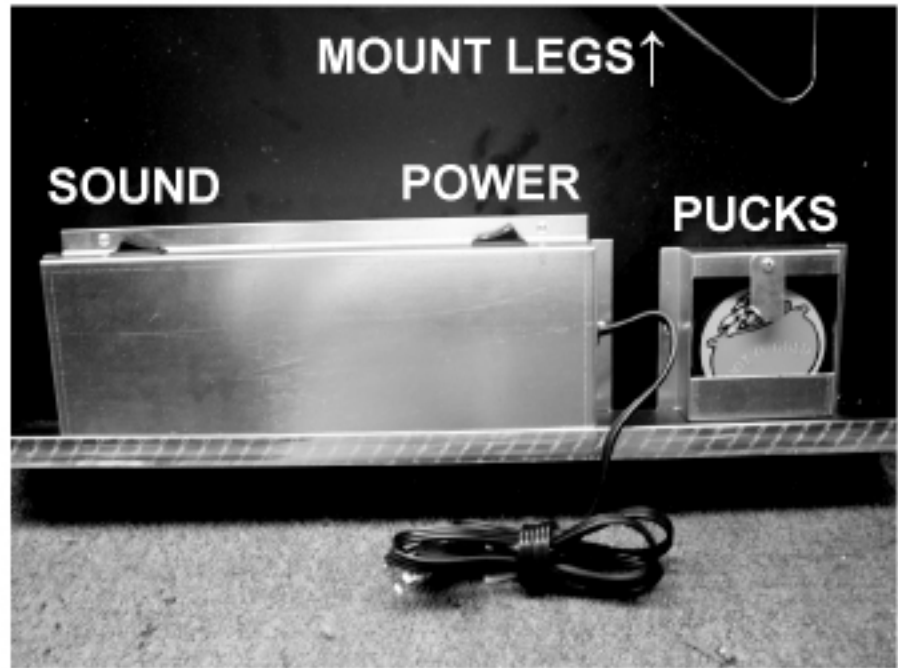
**BUILD TRAFFIC AND
CUSTOMER LOYALTY!**

**MAKE THEM
SMILE!!!**

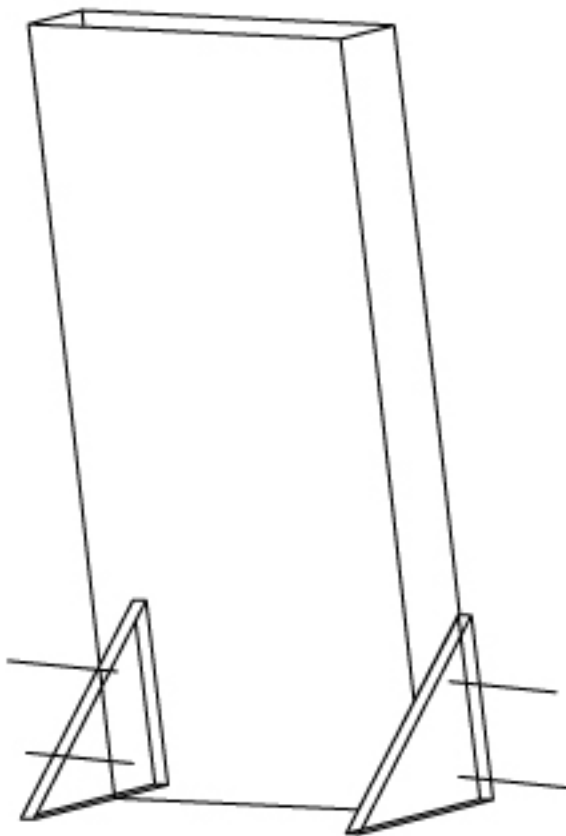
**INCREASE
REVENUE**

**LET YOUR IMAGINATION
RUN WILD!**

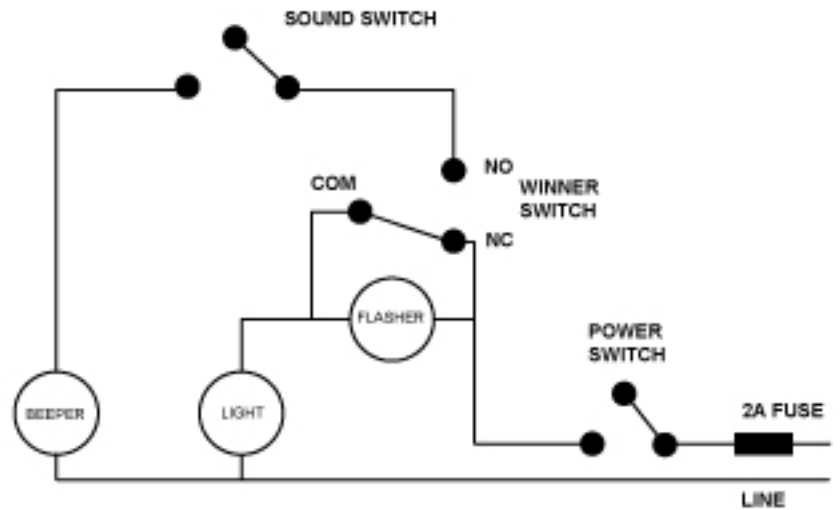
**WWW.FUNINDUSTRIES.COM
1-800-747-1144**



CABINET REAR



REMOVE LEGS FROM REAR OF BOARD AND ATTACH TO BOTTOM CABINET SIDES



WIRING DIAGRAM