

J6 CONNECTS TO  
OUTPUT BOARD  
SEE SHEET 4  
FOR USAGE

EXPANSION  
CONNECTOR  
SEE SHEET 4

TO SHEET 3  
SOUND

TO SHEET 4  
GRAPHICS

Fun Industries Inc.  
627 15th Avenue  
East Moline, IL 61244  
309-755-5021

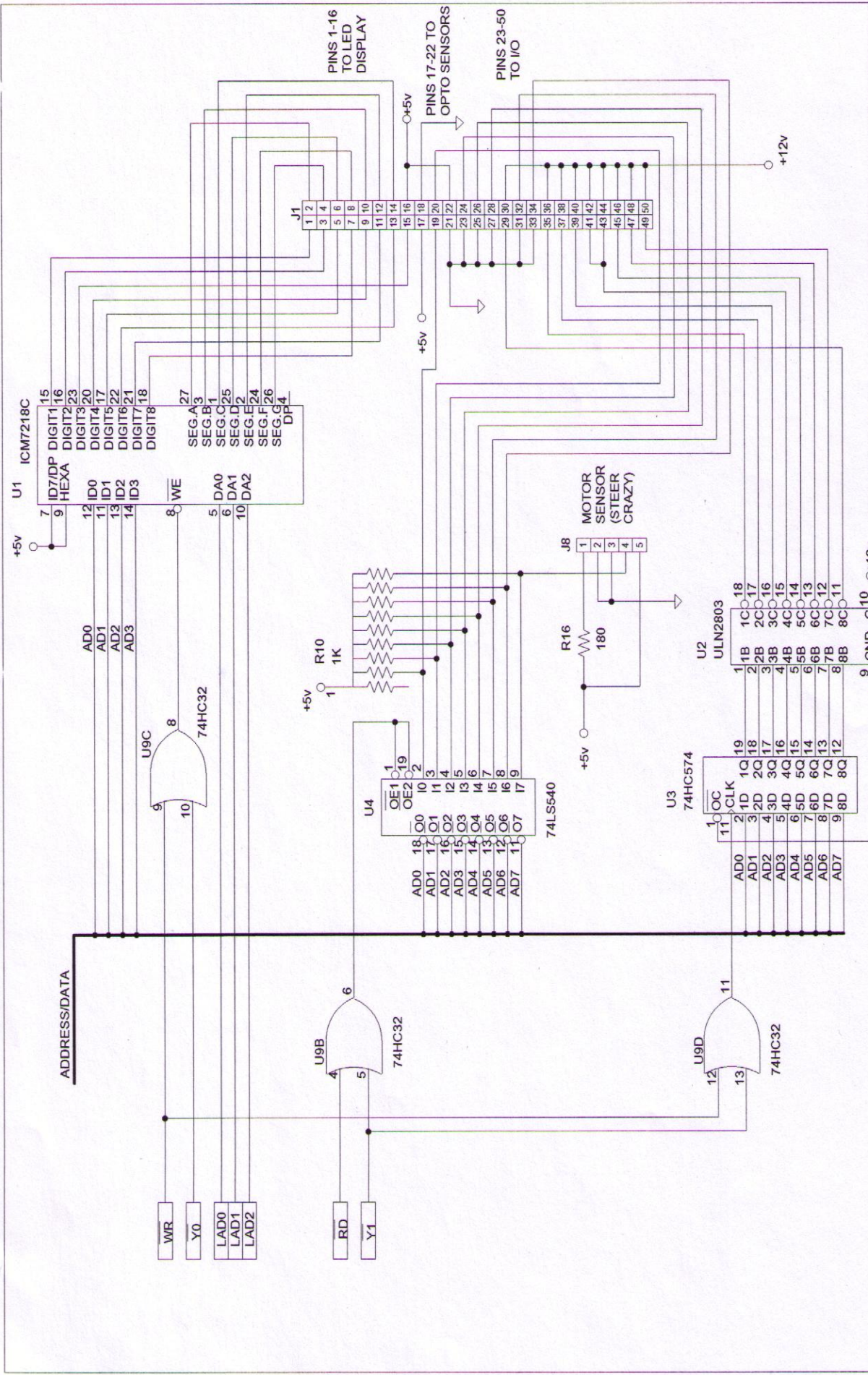
SC1780 Game Board Assembly - Microprocessor Core

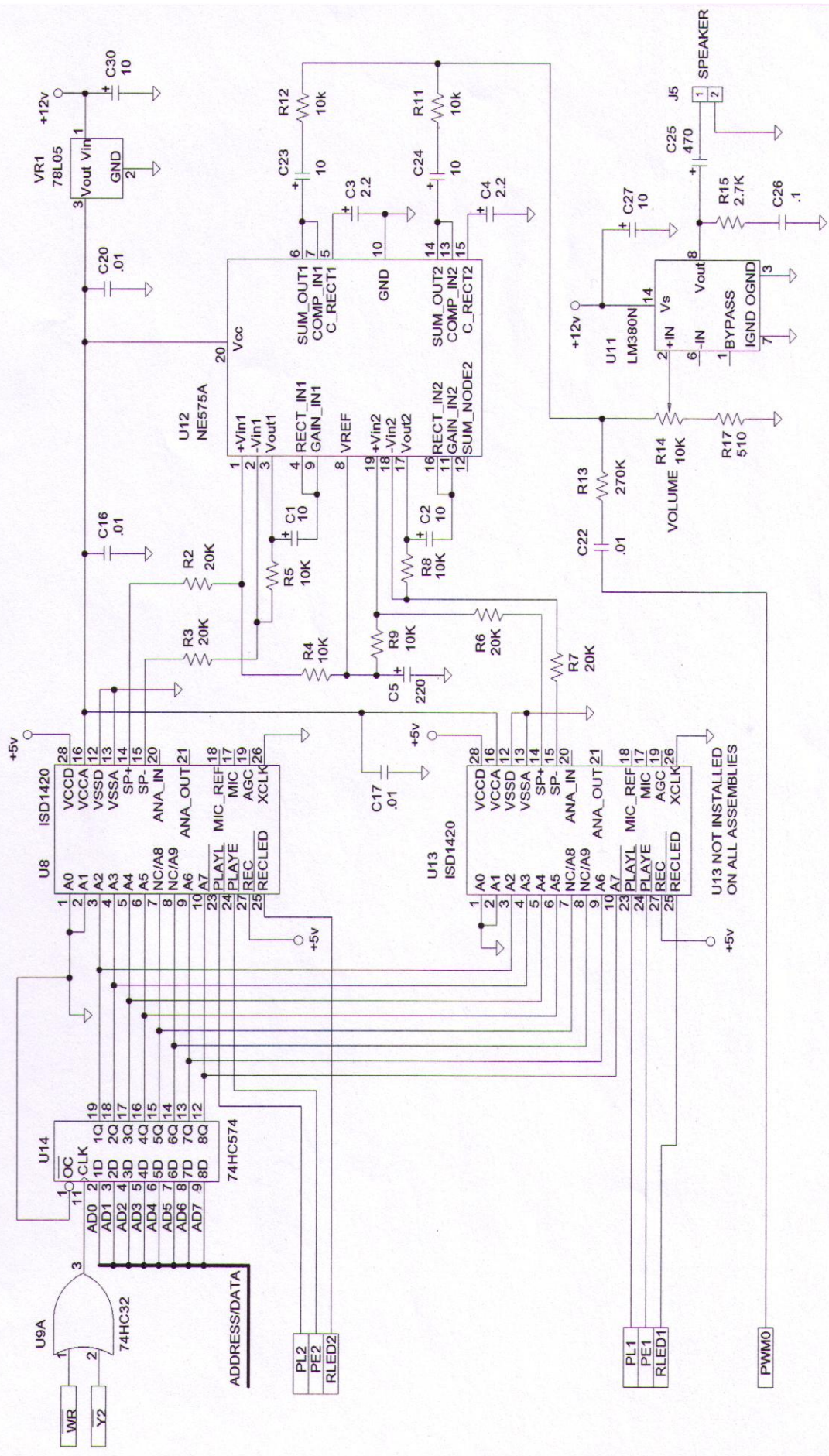
Revision: A

April 27, 1996

Page 1 of 4

Page Size: A





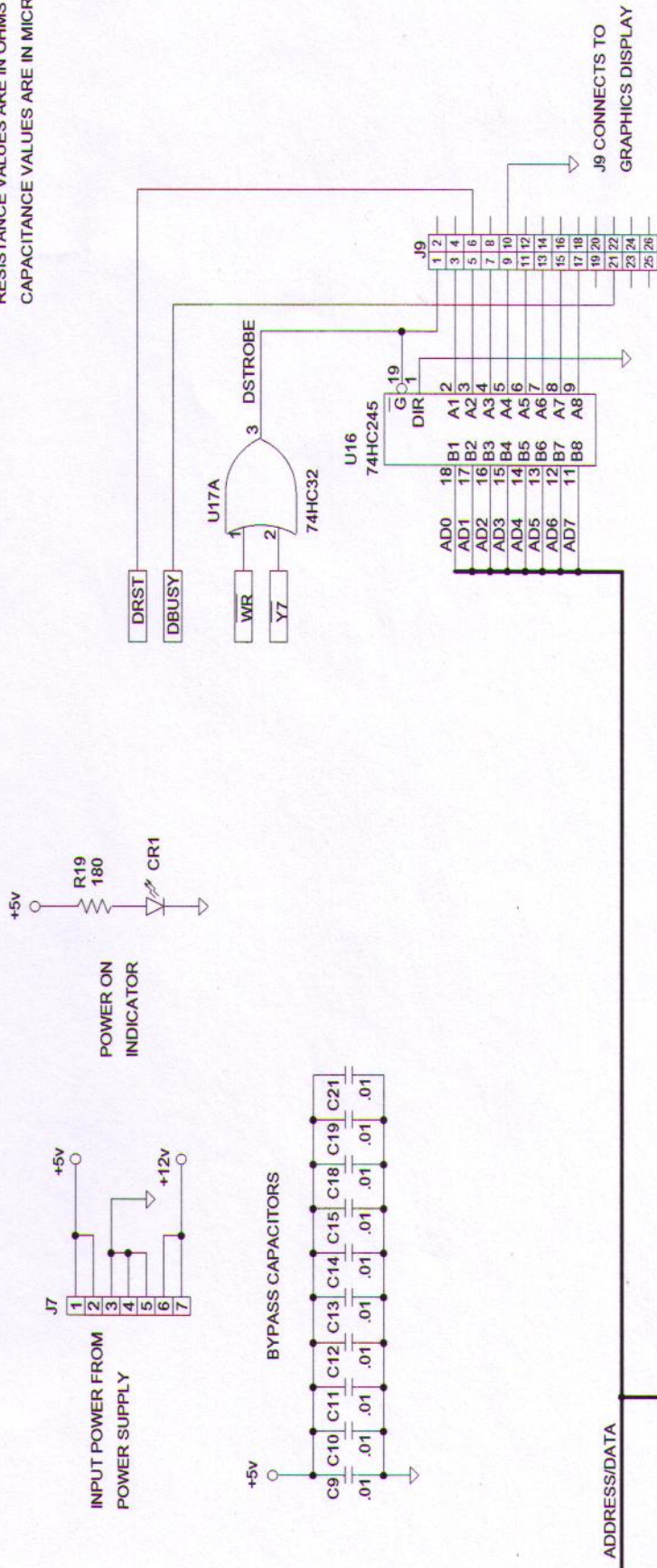
Fun Industries Inc.  
 627 15th Avenue  
 East Moline, IL 61244  
 309-755-5021

SC1780 Game Board Assembly - Sound Circuitry

Revision: A      April 27, 1996      Page 3 of 4

Page Size: A

UNLESS OTHERWISE NOTED:  
RESISTANCE VALUES ARE IN OHMS  
CAPACITANCE VALUES ARE IN MICROFARADS



NORMAL USAGE FOR OUTPUT BOARD CONNECTOR - J6

- PIN 1 - +5 VOLTS
- PIN 2 - GND (SIGNAL COMMON)
- PIN 3 - AC OUTPUT 1 (PLAYWHEEL, VEND, OR BLOWER MOTOR)
- PIN 4 - AC OUTPUT 2 (TRAVELLER LIGHTS, SPARE, OR NOT INSTALLED)
- PIN 5 - TICKET VENDOR ENABLE
- PIN 6 - BEACON
- PIN 7 - SPARE DC OUTPUT (NOT INSTALLED)
- PIN 8 - KICKER OUTPUT (IF APPLICABLE)
- PIN 9 - TICKET NOTCH SENSOR
- PIN 10 - SPARE DC INPUT

J2 AND J3 PROVIDE CONNECTIONS TO FUTURE EXPANSION DAUGHTERBOARD

Fun Industries, Inc.  
627 15th Avenue  
East Moline, IL 61244  
309-755-5021

Page Size: A

SC1780 Game Board Assembly - Power, Graphics, Expansion Connector

Revision: A

April 27, 1996

Page 4 of 4