

THE GRABBER



OUR SMALLEST AND MOST AFFORDABLE MONEY MACHINE YET. THE GRABBER MAY BE USED AS A TABLETOP MACHINE OR FREE STANDING WITH ITS LEGS AND CABINET SKIRTS MOUNTED. THE GRABBER OFFERS MOST ALL OF THE SAME FEATURES AS OUR MORE EXPENSIVE MODELS WITH AN OPTIONAL MESSAGE SIGN. AT ONLY 150 LBS. THIS MACHINE CAN BE TRANSPORTED EASILY.

FUN
INDUSTRIES INC.

627 15th Ave.
East Moline, IL 61244
Toll-free 1-800-747-1144
Local 309-755-5021
Fax 309-755-1684

GRABBER OPERATING INSTRUCTIONS

The “Grabber” money machine is very simple to operate. Before operation, you must install the legs and skirts with the hardware provided. Lay the machine on its side on a table to install these parts. Install the legs to the corners first and then the skirts to the legs. If a tabletop installation is preferred, insert the levelers provided in the leg carton into the receivers mounted at each of the four corners under the base.

This will ensure proper airflow as it is drawn from under the machine. Now you are ready to place the machine at it’s location and set the program. Follow the programming steps below.

ATTENTION: THIS MACHINE IS VERY STATIC SENSITIVE. PLEASE USE A FRESH STATIC SHEET WHEN DISPLAYING THE UNIT TO REDUCE STATIC ELECTRICITY. SIMPLY REMOVE THE SHEET BEFORE A PARTICIPANT USES THE MACHINE. FAILURE TO CONTROL STATIC ELECTRICITY WILL CAUSE THIS MACHINE TO MALFUNCTION AND POSSIBLY DESTROY THE MAIN CONTROL BOARD.

1. Plug machine into power source and turn main power on inside the control door. The main power switch is labeled “**power**”.

2. ***NOTE: SEE PROGRAM OPTION DEFINITIONS BELOW.*** To program this machine you need to push the remote program button located next to the small display inside the control door or the program button on the main control board. Each time you press the program button, you will cycle through the program options. Notice the top two digits on the small display. They tell you what program option you are on and the bottom four digits display what the setting is. To change the setting of any particular option, press the **start button** located near the power switch. Each press of the start button will increment the setting by 1 second. When all desired settings are correct, exit the program mode by passing the last option (#3).

3. The machine will now be ready for operation. Drop up to 100 ***wrinkled*** bills into the machine and shut the door. This machine has an ***automatic mode*** feature that will allow it to display itself by cycling on and off automatically. When contestants are used with the machine, make sure you are using ***manual mode***. This feature is controlled by the switch labeled “**auto**” near the main power switch.

DEFINITION OF PROGRAM OPTIONS

#01 This controls how many seconds the blower will run in *manual mode*.

#02 This controls how many seconds the blower will run in *automatic mode*.

#03 This controls how long the blower will pause in *automatic mode*.

FOR ASSISTANCE CALL 1-800-747-1144

GRABBER TROUBLESHOOTING

SYMPTOM	POSSIBLE SOLUTION
1. No Power	A. Main cord unplugged. B. Main power switch off. C. Blown fuse on output board.
2. Not blowing properly	A. Air intake restricted at bottom of base. B. Vent on lid obstructed. C. Money will not circulate properly unless it is wrinkled . D. More than 100 bills are being used.
3. Erratic operation	A. Possible static problem. Make sure to use a fresh static sheet frequently.

IF ASSISTANCE IS NEEDED PLEASE CALL 1-800-747-1144

CLEANING YOUR GRABBER

This machine is constructed of polycarbonate sheeting. A mild detergent or glass cleaner will be sufficient for cleaning. It is most important to use a soft cloth or towel as to help prevent scratching the plastic. Replacement sheets are available from our factory.

INSTALLING OPTIONAL MESSAGE BOARD

Installing the optional scrolling message board to your Grabber is fairly simple. Your machine has been predrilled at the front corners of the lid. The special mounting brackets supplied with this unit mount to the lid at these locations. After mounting the brackets, remove the screws at each end of the sign and mount the sign to the brackets. Now plug the pre-wired cable into the correct connector on the sign and your ready to go. To program messages into the sign, use the remote control and follow the programming booklet supplied with the unit.

**FUN INDUSTRIES INC.
NEW MACHINE WARRANTY
Money Machines**

TERM: 120 days from invoice date. (Optional renewal thereafter)

PHONE SUPPORT: Unlimited

COMPONENT SUPPORT: All electronic components including wiring harnesses, buttons, switches, transformers, digital timers, electronic eyes, solenoids and printed circuit boards; as well as the blower assembly to include the fan and motor components will all be supported during the term of this agreement. Any failure that identifies one of the covered components will result in replacement or repair of the affected items. Installation of the replaced items is by customer's technician with phone support by FUN.

EXCLUSIONS: Warranty does not include normal wear and tear items. Light bulbs, light ropes, frame components, cabinets, glass, polycarbonate, wheels, casters, paint or finish or return freight unless failure is the result of a manufacturing defect. Also excluded is any damage resulting from moving, shipping, water damage, and outdoor use not typically associated with promotional locations. All message boards, amplifiers, and microphones are cover by the original manufacturer, please send in your warranty card.

RETURN PARTS POLICY: All customers must call for pre-authorization of returned parts. Warranty parts will not be exchanged until defective parts have been returned to Fun Industries unless an account has been secured with a credit card assuring the replacement price of any unreturned components. It is the responsibility of all customers to prepay shipping charges back to Fun Industries. Fun Industries will be responsible for return ground UPS charges on replacement of parts. Premium freight requested for expedited shipments is available at customers option.

RENEWAL: FUN will invoice for an Extended One Year Warranty 30 days in advance of expiration, that when accepted and paid will renew this warranty (see renewable warranty).

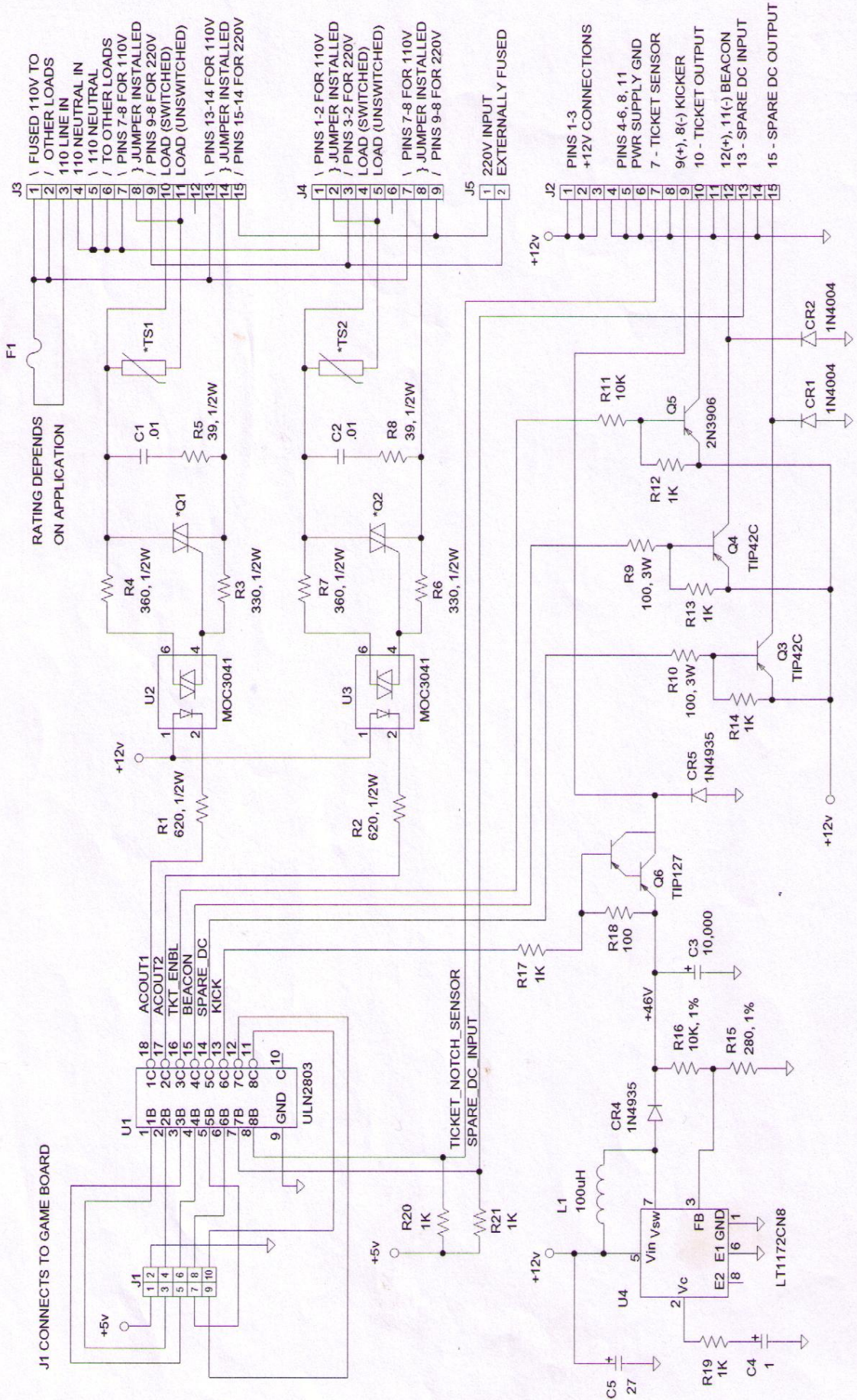
EXPIRATION: After 30 days of nonrenewal due to failure to receive payment of a renewal invoice, the machine may be required to submit to an inspection at Fun's East Moline, IL facility prior to subsequent renewal. Round trip freight charges for the inspection become the responsibility of the customer.

MINIMUM CONDITIONS: Customer agrees to use only grounded 120/240V receptacles within 10 foot of the machine, or a minimum 12 gauge grounded extension cord not exceeding 100 feet. Alternative power situations can be discussed with FUN's specific approval.



627 15th Ave.
East Moline, IL 61244
Toll-free 1-800-747-1144
Local 309-755-5021
Fax 309-755-1684

REVISED 6-20-08



J1 CONNECTS TO GAME BOARD

RATING DEPENDS ON APPLICATION

DRAWING NOTES:

- UNLESS OTHERWISE NOTED, RESISTOR VALUES ARE IN OHMS
- UNLESS OTHERWISE NOTED, CAPACITOR VALUES ARE IN MICROFARADS
- ALL COMPONENTS ARE NOT INSTALLED ON ALL BOARD ASSEMBLIES. SEE APPLICABLE BILL OF MATERIAL
- Q1, Q2, TS1, TS2 (IF USED) DEPEND ON GAME AND VOLTAGE. SEE APPLICABLE BILL OF MATERIAL

Fun Industries, Inc.
627 15th Avenue
East Moline, IL 61244
309-755-5021

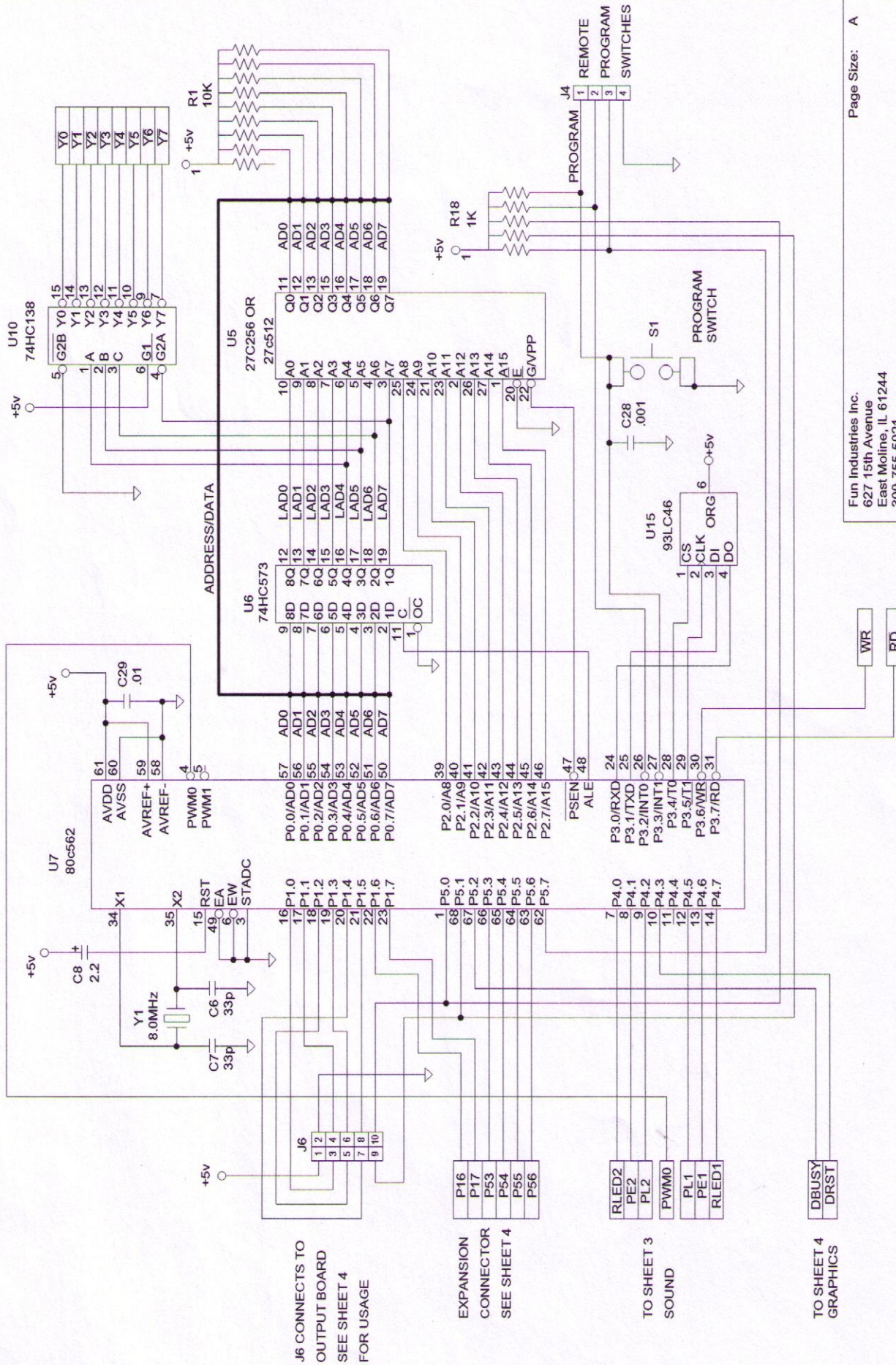
SC-1770 Output Board Assemblies

Page Size: A

Revision: A

April 26, 1996

Page 1 of 1



J6 CONNECTS TO
OUTPUT BOARD
SEE SHEET 4
FOR USAGE

EXPANSION
CONNECTOR
SEE SHEET 4

TO SHEET 3
SOUND

TO SHEET 4
GRAPHICS

Fun Industries Inc.
627 15th Avenue
East Moline, IL 61244
309-755-5021

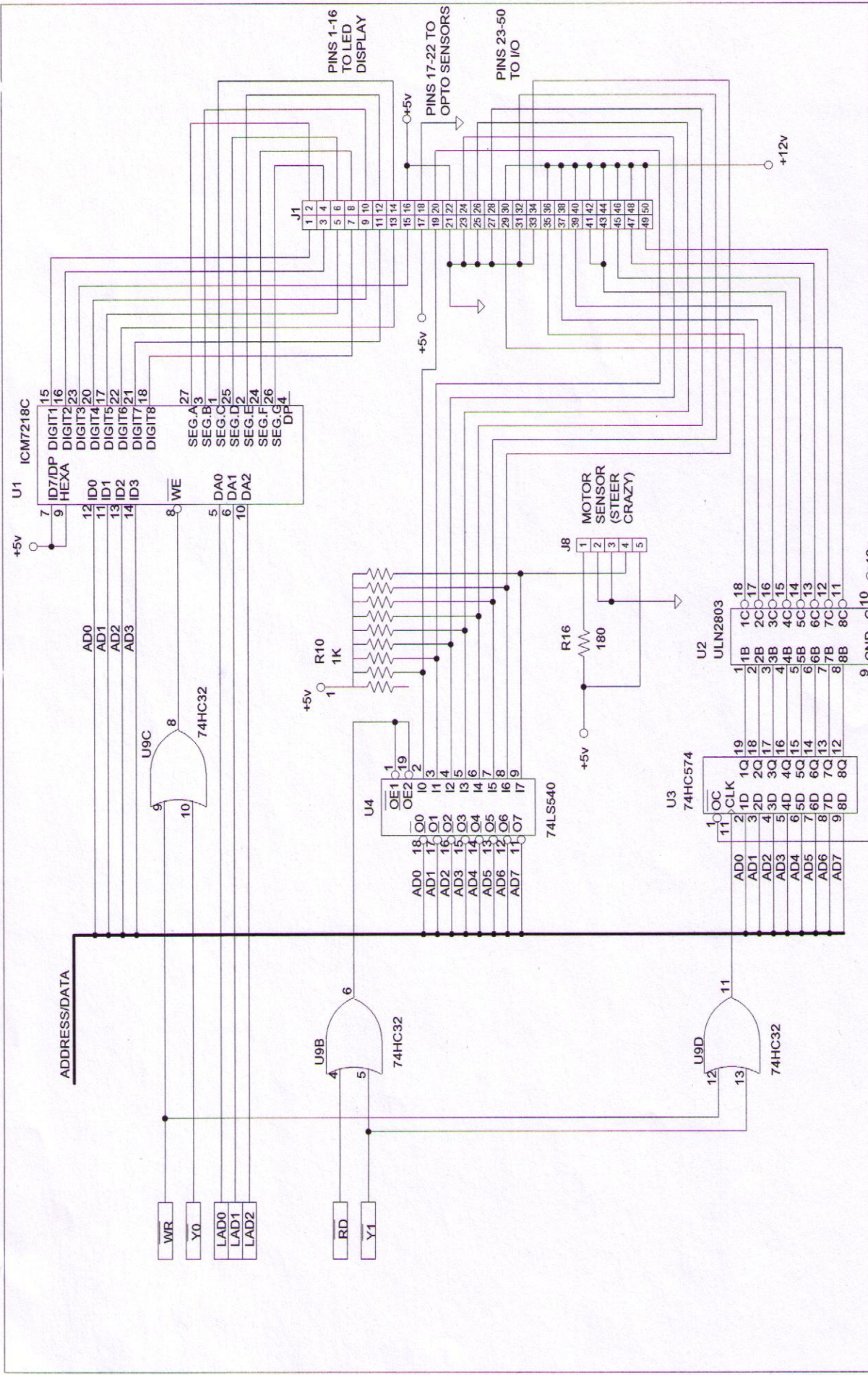
SC1780 Game Board Assembly - Microprocessor Core

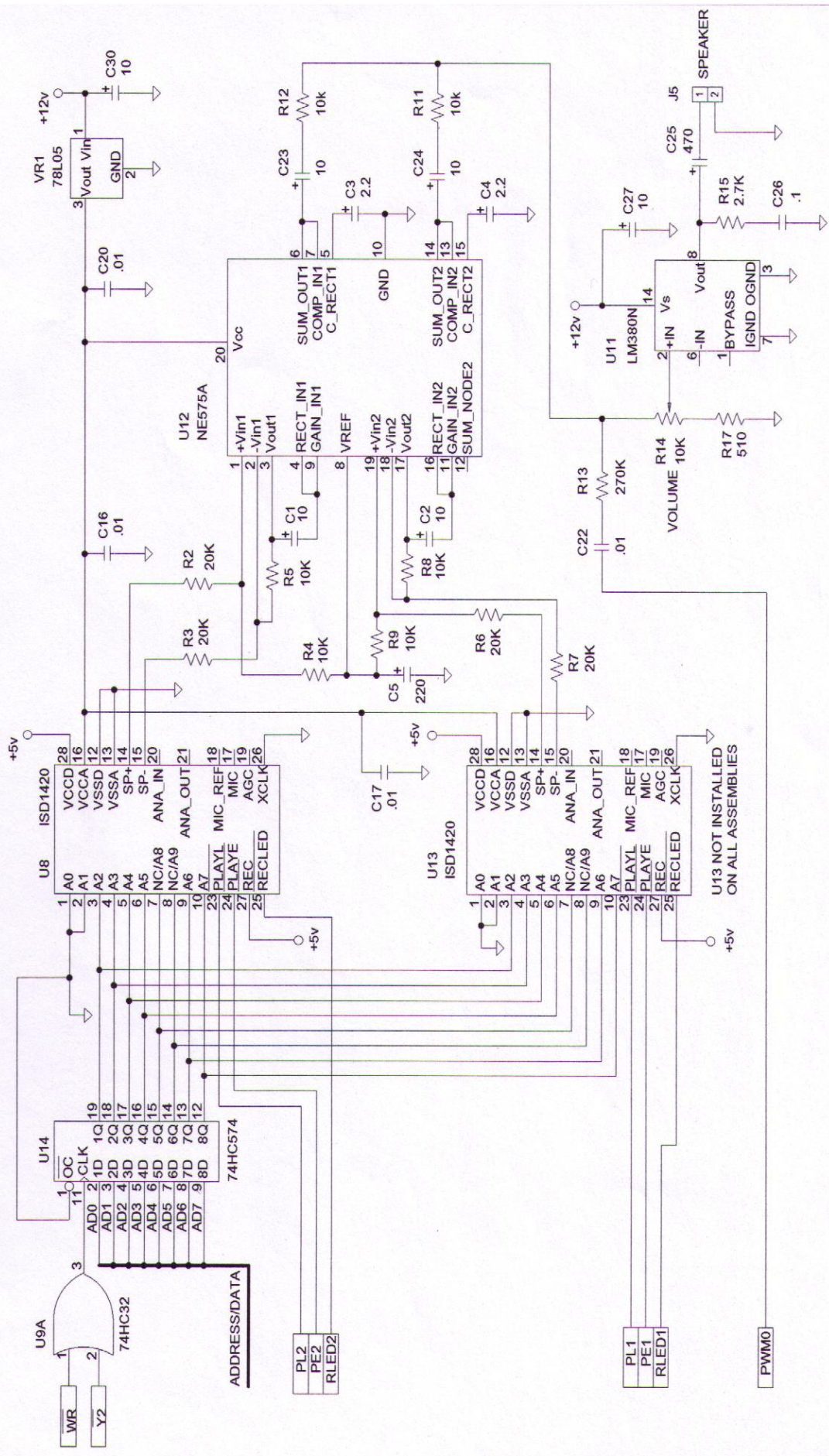
Page Size: A

Revision: A

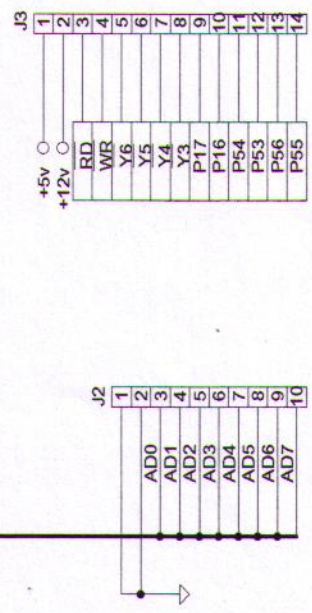
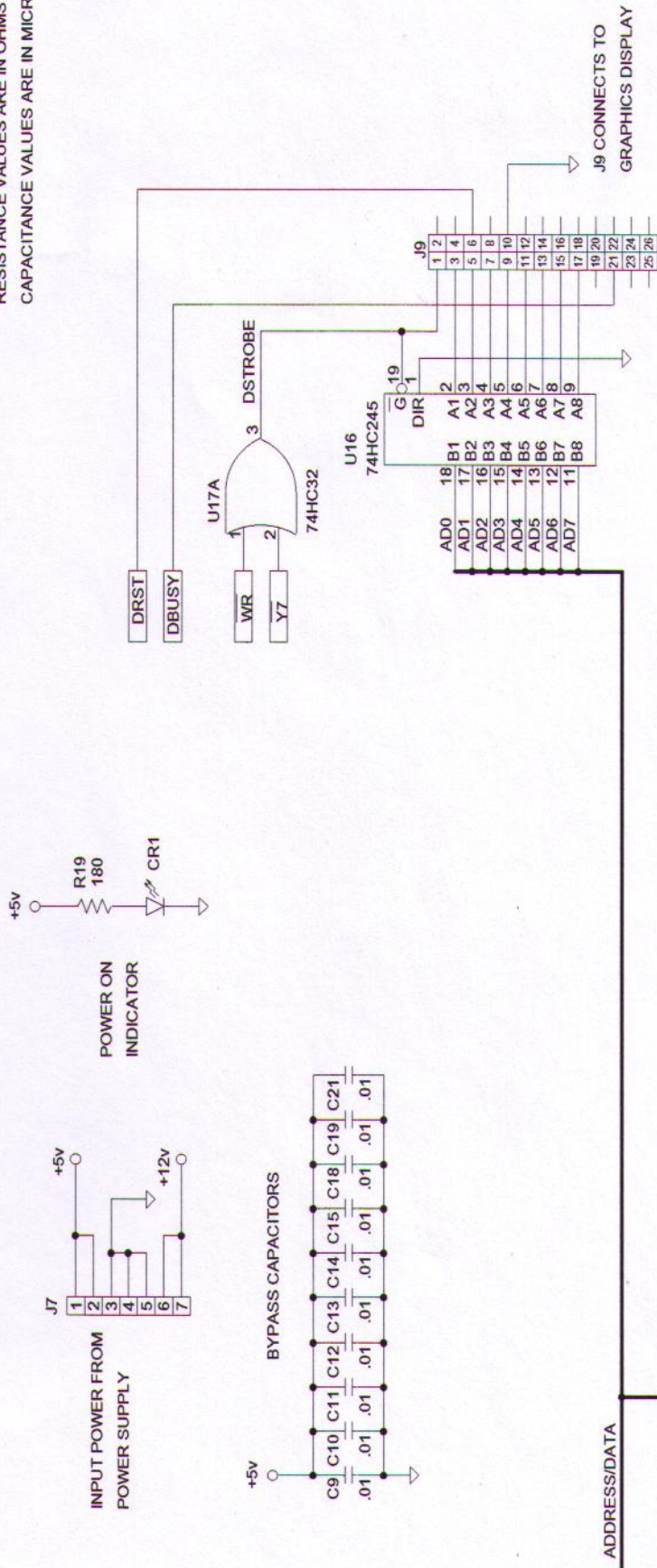
April 27, 1996

Page 1 of 4





UNLESS OTHERWISE NOTED:
RESISTANCE VALUES ARE IN OHMS
CAPACITANCE VALUES ARE IN MICROFARADS



NORMAL USAGE FOR OUTPUT BOARD CONNECTOR - J6

- PIN 1 - +5 VOLTS
- PIN 2 - GND (SIGNAL COMMON)
- PIN 3 - AC OUTPUT 1 (PLAYWHEEL, VEND, OR BLOWER MOTOR)
- PIN 4 - AC OUTPUT 2 (TRAVELLER LIGHTS, SPARE, OR NOT INSTALLED)
- PIN 5 - TICKET VENDOR ENABLE
- PIN 6 - BEACON
- PIN 7 - SPARE DC OUTPUT (NOT INSTALLED)
- PIN 8 - KICKER OUTPUT (IF APPLICABLE)
- PIN 9 - TICKET NOTCH SENSOR
- PIN 10 - SPARE DC INPUT

J2 AND J3 PROVIDE CONNECTIONS TO FUTURE EXPANSION DAUGHTERBOARD

Fun Industries, Inc.
627 15th Avenue
East Moline, IL 61244
309-755-5021

SC1780 Game Board Assembly - Power, Graphics, Expansion Connector

Revision: A

April 27, 1996

Page 4 of 4

Page Size: A